

MESSERSCHMITT Bf-109 E-3/4

1/72 Scale

When the **Bf-109** was designed in the early '30s, it was technically far ahead of anything flying or even planned in the rest of the world! Fast, nimble and heavily armed by the standards of the time, the **Bf-109** proved its worth in the *Spanish Civil War*. By the time *World War II* erupted, the design had evolved into one of the best fighters in the world. The "E" version, commonly known as "**EMIL**" saw considerable action during the *blitzkrieg* and the *Battle of Britain*.

SPECIFICATION:

MAXIMUM SPEED:	348 mph at 14,560 feet
MAXIMUM RANGE:	410 miles at cruising speed
ARMAMENT:	2-20mm wing mounted cannon 2-7.92mm cowl mounted machine guns
WINGSPAN:	32 feet, 4.5 inches
LENGTH:	28 feet, 4.25 inches
WEIGHT:	4,189 pounds empty, 5,875 loaded

2133



Cement Parts
Coller
Kleben
Pegar
Incollare
Colar
Kleben



Do Not Cement Parts
Ne Pas Coller
Nicht Kleben
No Pegar
Non Incollare
Não Colar
Niet Kleven



Cut Away
Couper
Scheiden
Cortar
Tagtare
Cortar
Snijden



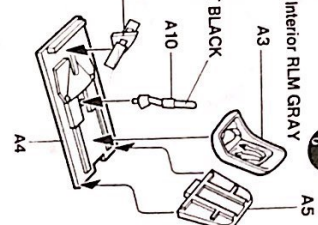
Optional Parts
Choix
Auswahlmoglichkeit
Eleccion
Scelta
Opcao
Keuze



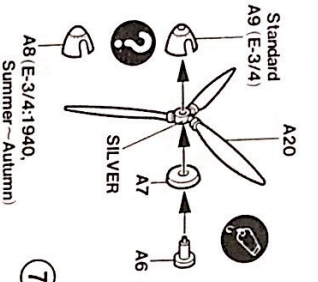
Repeat Operation
Répéter l'opération
Vorgang Wiederholen
Repitir la operación
Repelere
Repitir a Operação
Herhalen

ENGLISH	FRENCH	GERMAN	SPANISH	ITALIAN
BLACK	NOIR	SCHWARZ	NEGRO	NERO
SILVER	ARGENT	SILBERN	PLATA	ARGENTO
FLYMETAL	METALLIC	METALLIC	METALLICO	METALLICO
WHITE	BLANC	WEISS	BLANC	BIANCO
RED	ROUGE	ROT	ROJO	ROSSO
GREEN	VERT	GRÜN	VERDE	VERDE

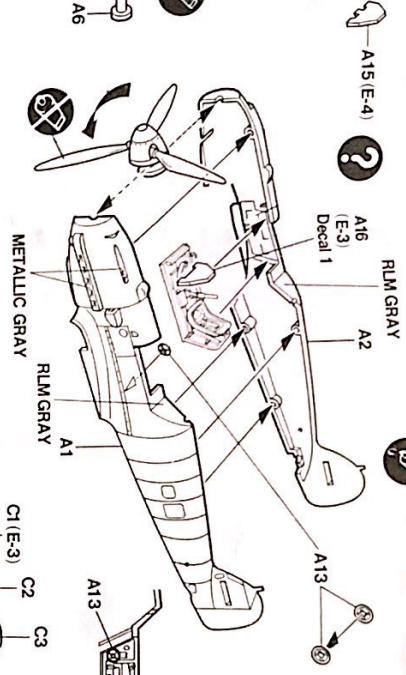
1 Cockpit



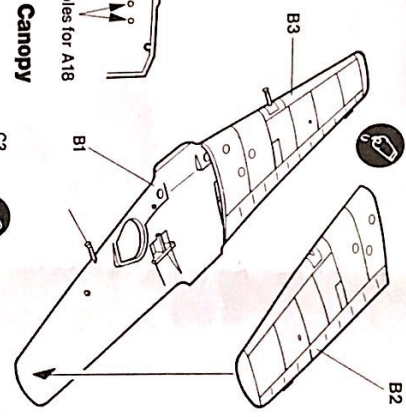
2 Propeller



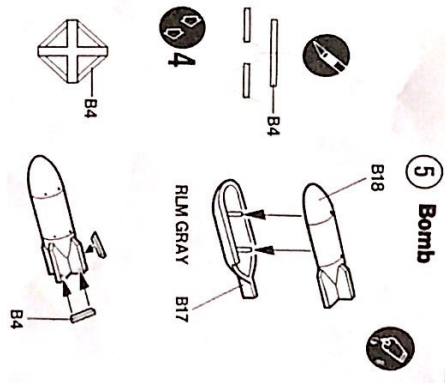
3 Fuselage



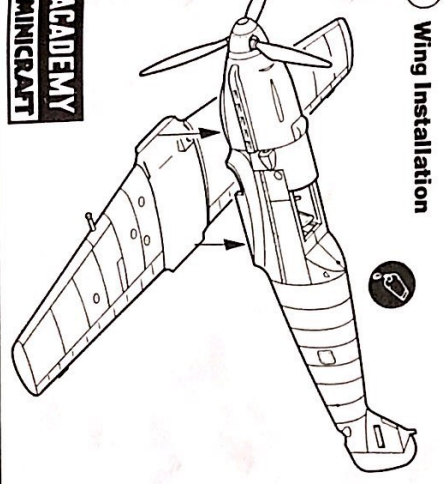
4 Wing



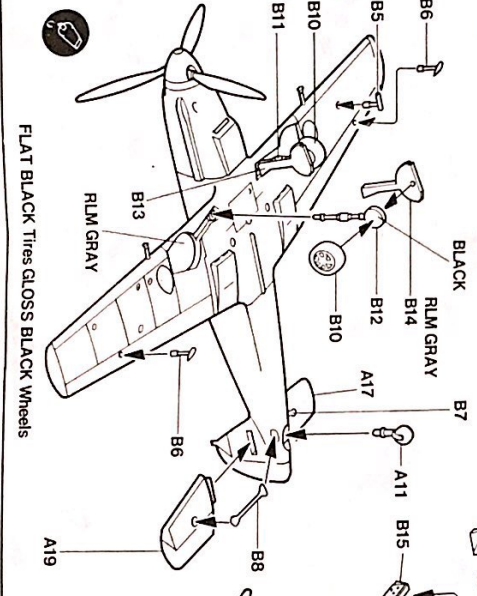
5 Bomb



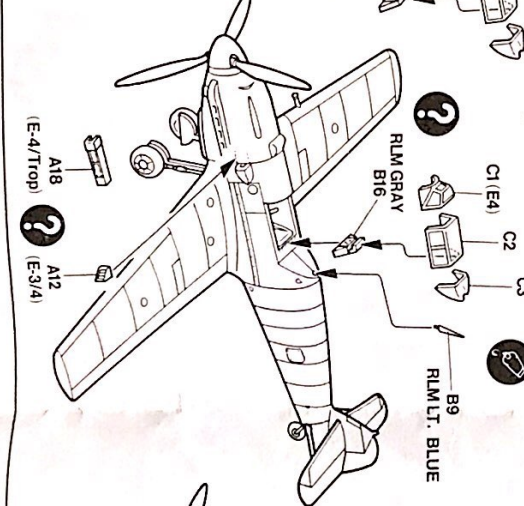
6 Wing Installation



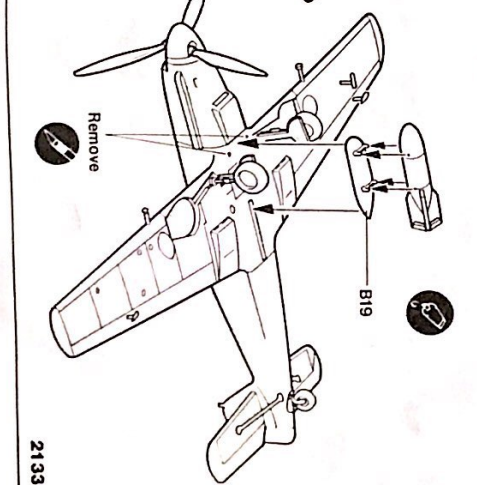
7 Lower Assembly



8 Canopy

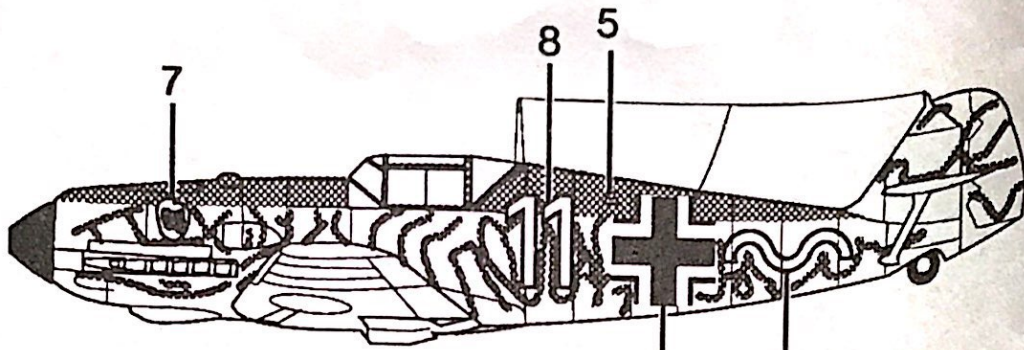


9 Final Assembly

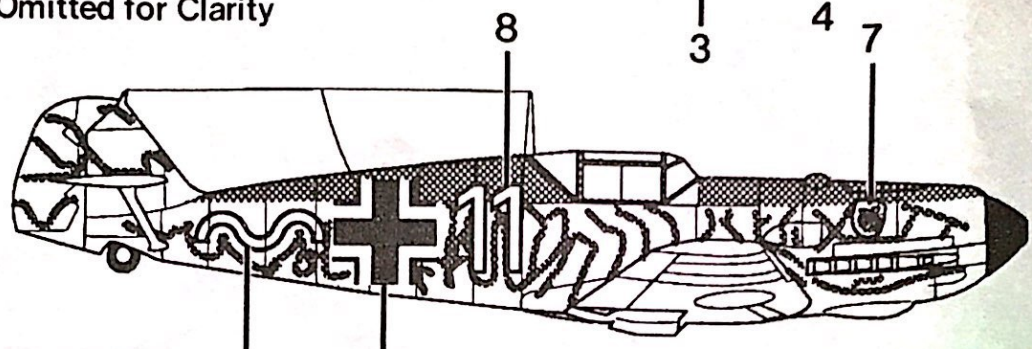


FLAT BLACK Tires GLOSS BLACK Wheels

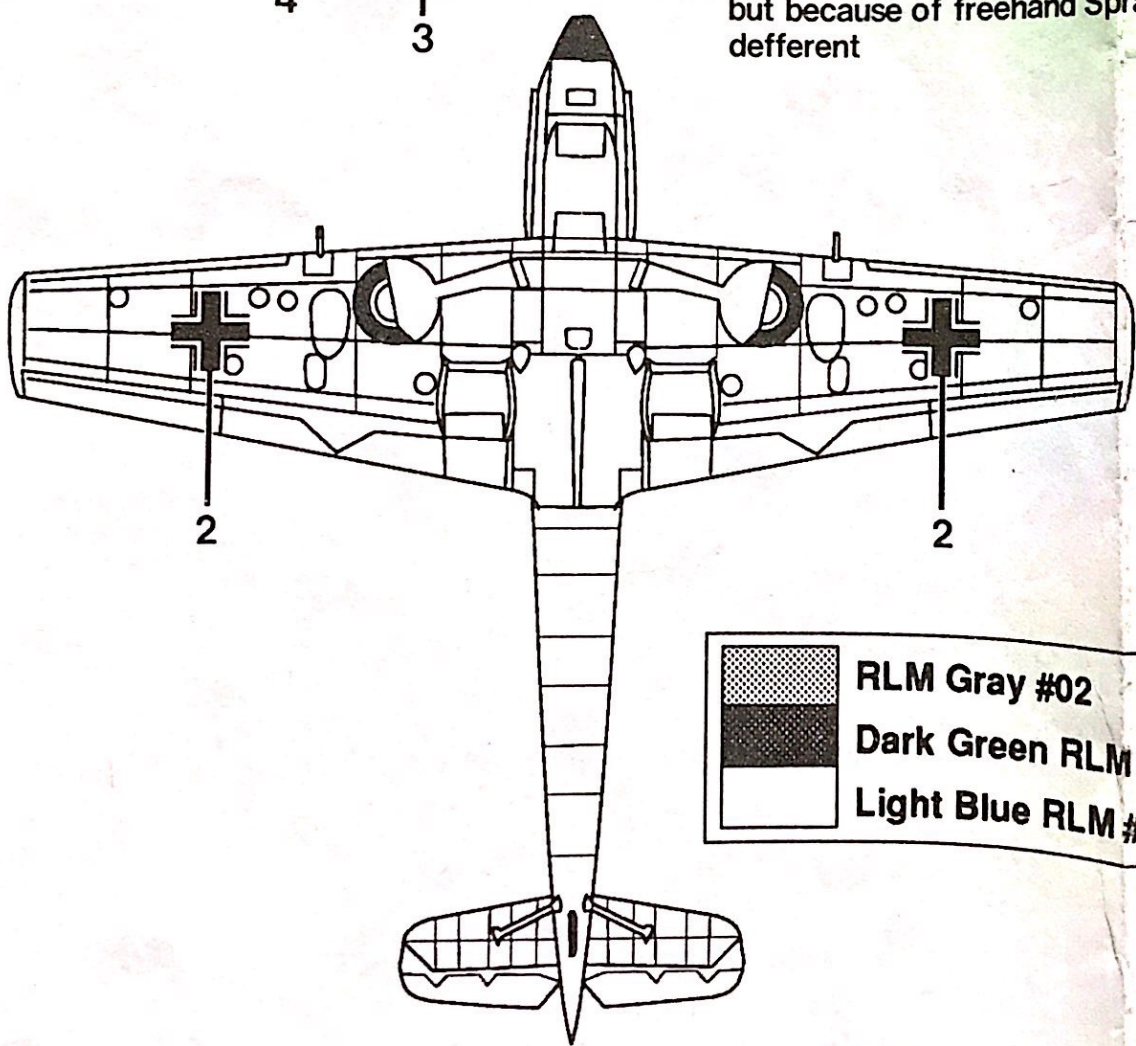
Painting and Decal Placement



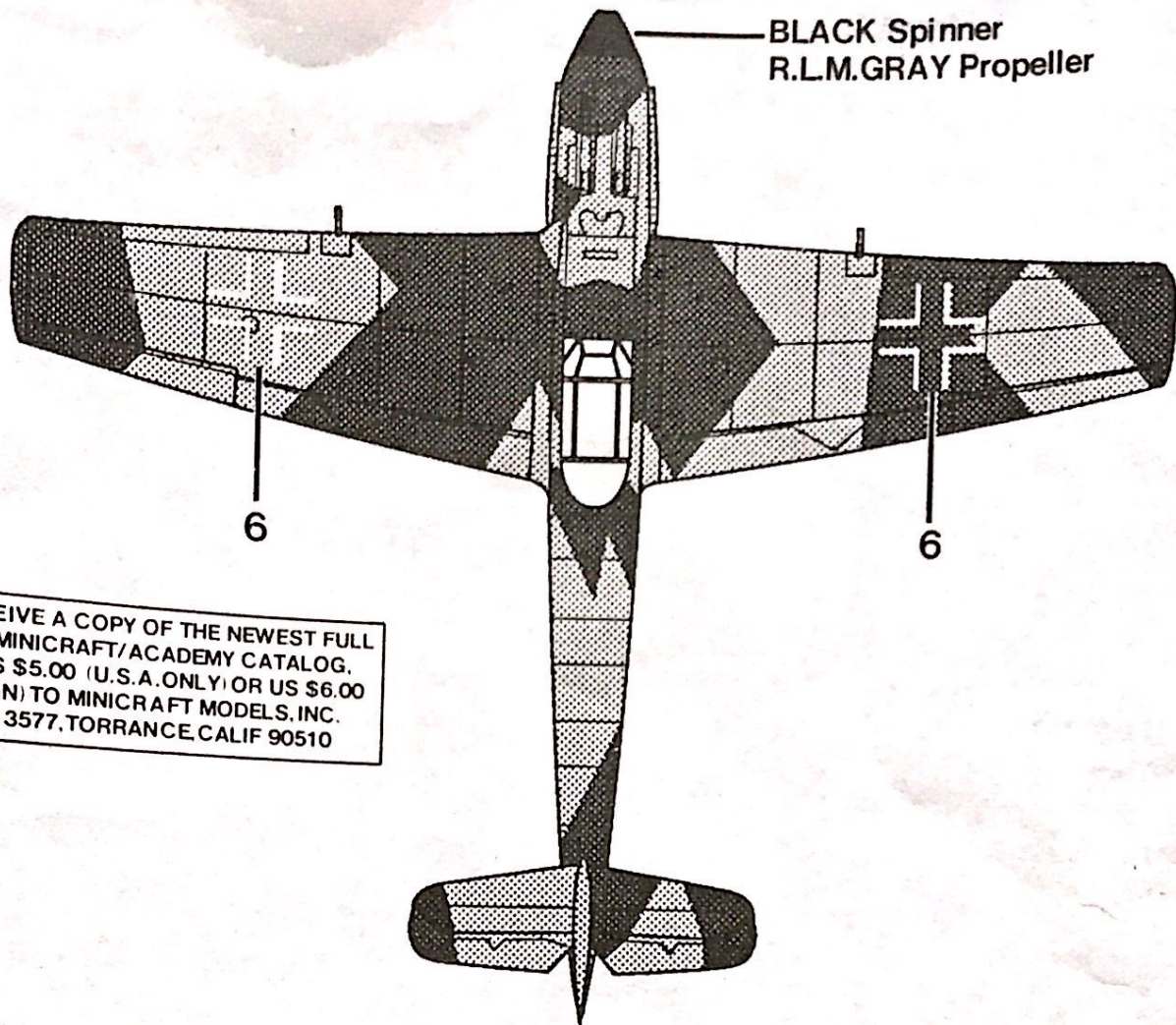
Upper DARK GREEN Pattern Omitted for Clarity



Left and Right Side Markings Very Similar but because of freehand Spraying slightly different



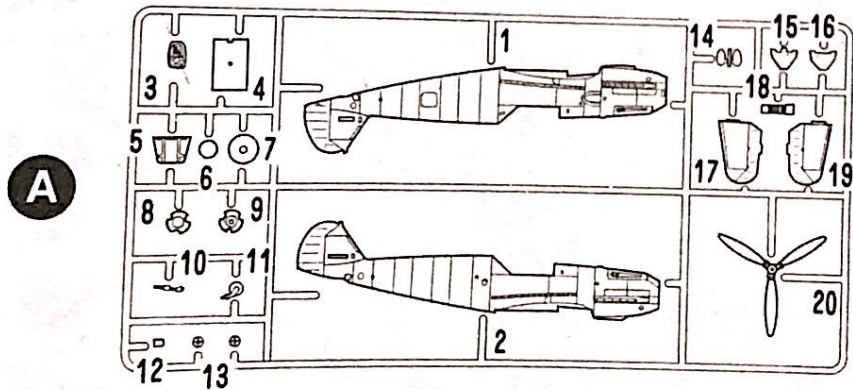
	RLM Gray #02
	Dark Green RLM #71
	Light Blue RLM #65



BLACK Spinner
R.L.M. GRAY Propeller

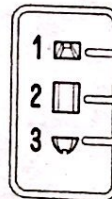
TO RECEIVE A COPY OF THE NEWEST FULL
COLOR MINICRAFT/ACADEMY CATALOG,
SEND US \$5.00 (U.S.A. ONLY) OR US \$6.00
(FOREIGN) TO MINICRAFT MODELS, INC.
P.O. BOX 3577, TORRANCE, CALIF 90510

Parts Locating Diagram

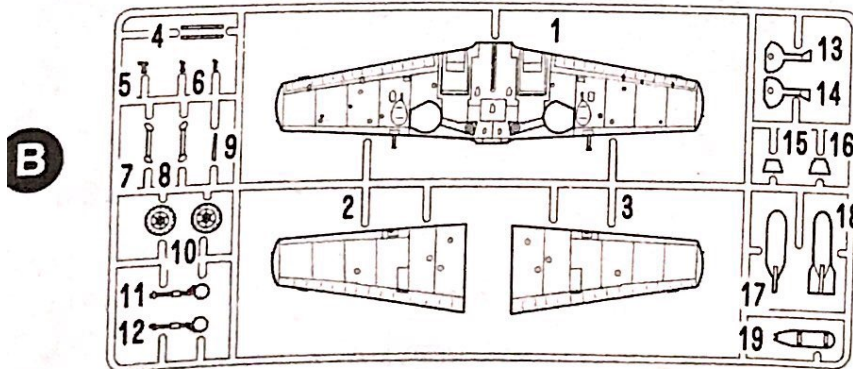
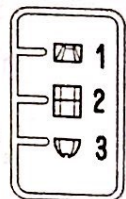


(E-3)

(E-4)



C



**ACADEMY
MINICRAFT**